

SEE WHAT YOU NEED TO SEE

CYTOPRO® MAGNUM

Expands on the standard line of Cytopro® cytochambers, with a larger capacity and enhanced safety features

Innovation with Integrity

The value of cytochambers

During cytochamber, cells are transferred from the holding well to a sedimentation chamber. Here the cells are thoroughly mixed in order to produce an even monolayer on the slide during sedimentation. The spent suspension fluid is completely absorbed and stabilized by an absorbent material at the end of cytochamber. This not only protects the collected cells from accidental damage, but also protects the operator, the rotor, and the environment from potential biohazard contamination.

Handle samples worry-free

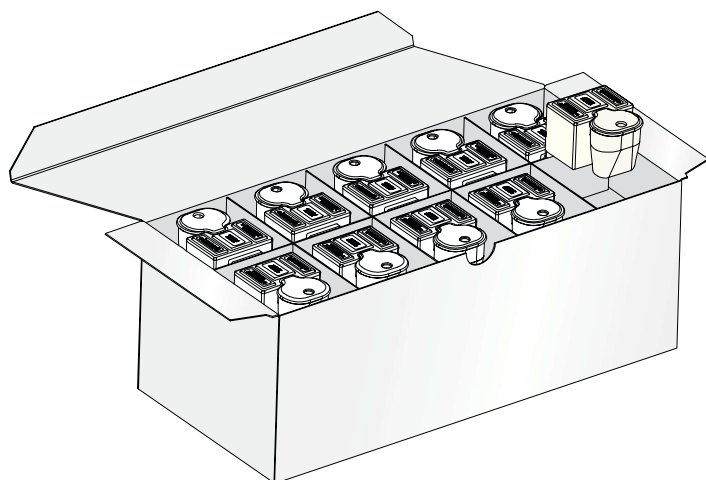
Cytopro Magnum's protective features provide a high level of convenience and peace of mind when handling spent sample fluid: no more worries about spillage or contamination. The semi-absorbent seal at the microscope slide quickly absorbs fluid after the sedimentation chamber has been drained to remove the last residual drops at the slide surface. This prevents the common mess of other large sample chambers, while providing consistently superior cell distribution.



Designed to provide results you can count on

Using the Cytopro Cytocentrifuge, Magnum chambers automatically mix samples at startup for superb cellular distribution. Magnum chambers retain the quality design components of standard Cytopro sample chambers, with walls that are perpendicular to the microscope slide to ensure an even collection of cells. The simple lever release provides the same foolproof loading and unloading, offering ease of use for processing large samples without compromising quality, providing exceptional, highly visible specimen slides.

The Cytopro Magnum is a significant improvement for large-scale cytocentrifugation and liquid based cytology. Its revolutionary design offers superior results with extraordinary convenience and a new level of biohazard protection.



Technical specifications

- 15 x 21 mm Sample Viewing Area
- 2-6 mL Sample Volume
- 30 Sample Chambers Per Box

Features & benefits

- Quick, foolproof loading and unloading
- Complete absorption of cell suspension fluid for reduced mess and potential contamination
- Sample is automatically mixed in the sedimentation chamber at the start of a run
- Chamber wall is perpendicular to the microscope slide to enhance even cell collection
- Semi-absorbent seal for removing residual fluid from the surface of the slide

Order information

**Cytopro Magnum
Sample Chambers**
Part No. SS-234

**Cytopro Magnum
Microscope Slides (Coated)**
Part No. SS-233

**Cytopro Magnum
Microscope Slides (Uncoated)**
Part No. SS-232



ELITechGroup Inc.
Logan, UT · USA

1.800.453.2725

Cytopro® is a registered trademark of ELITechGroup, Inc. – A Bruker Company



Online information
Aerospraystaining.com



BMS-60-0078-01A

